

TECHNICAL DATA

MASSES

Operating mass (incl. ROPS)	7050 kg
Operating mass (incl. Cab)	7200 kg
Module mass (front/rear)	3600 kg/3600 kg
Max. operating mass	8500 kg

COMPACTION

Static linear load	21 kg/cm
Nominal amplitude (high/low)	1.8 mm/0.8 mm
Vibration frequency (high/low amplitude) SEISMIC available (values for manual mode)	32 Hz /36 Hz
Centrifugal force (high/low amplitude)	133 kN/72 kN

TRACTION

Speed range (Dual/TC/AS)	8 /12 /12 km/h
Tyre size (8 ply)	14.9 x 24 TL
Max. theoretical gradeability	55 %
Vertical oscillation	±9°

ENGINE

Manufacturer/Model	Deutz TD3.6/DPF (V)
Type	Water cooled turbo Diesel
Rated power, ISO 14396	55 kW (75 hp) @ 2200 rpm
Fuel tank capacity	190 l

ENGINE

Manufacturer/Model	Deutz TD3.6 (IIIB/T4f)
Type	Water cooled turbo Diesel
Rated power, ISO 14396	55 kW (75 hp) @ 2200 rpm
Fuel tank capacity	190 l

ENGINE

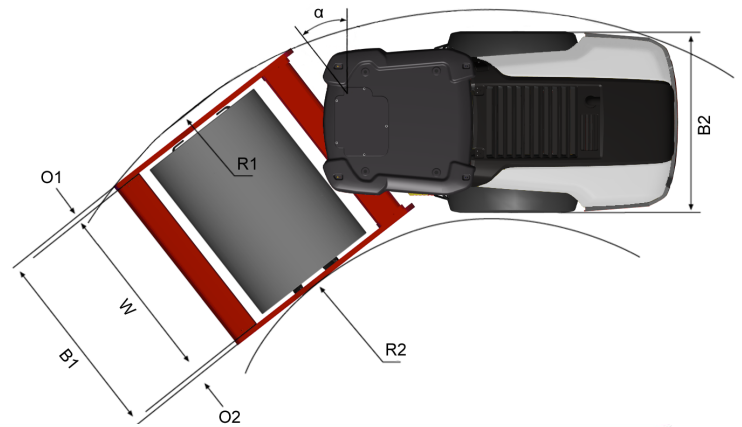
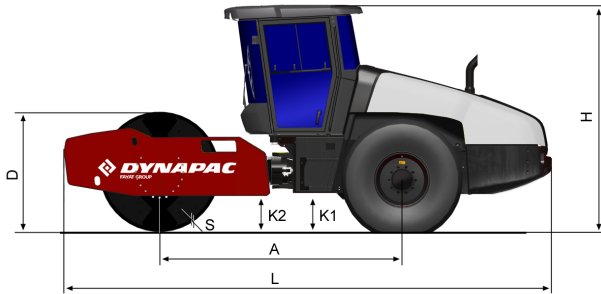
Manufacturer/Model	Cummins QSB3.3 (IIIA/T3)
Type	Water cooled turbo Diesel
Rated power, SAE J1995	82 kW (110 hp) @ 2200 rpm

HYDRAULIC SYSTEM

Driving	Hydrostatic
Vibration	Hydrostatic
Steering	Hydrostatic
Service brake	Hydrostatic in forward and reverse lever.
Parking/ Emergency brake	Failsafe multidisc brake in drum gear box and in rear axle.

Find us locally at www.dynapac.com

We reserve the right to change specifications without notice. Photos and illustrations do not always show standard versions of machines. The above information is a general description only, all information's are supplied without liability.



DIMENSIONS

DIMENSIONS

A. Wheelbase	2690 mm
B1. Width, front	1866 mm
B2. Width, rear	1700 mm
D. Drum diameter	1219 mm
H. Height, with ROPS/cab	2730 mm
K1. Ground clearance	320 mm
K2. Curb clearance	350 mm
L. Length	5280 mm
O1. Overhang, right	95 mm
O2. Overhang, left	95 mm
R1. Turning radius, outside	4800 mm
R2. Turning radius, inside	3100 mm
S. Drum shell thickness	22 mm
W. Drum width	1676 mm
α. Steering angle	±38°

OPTIONAL EQUIPMENT

Air Conditioning /Automatic Climate Control (ACC) (Optional)

- The system contains fluorinated greenhouse gases.
- Coolant designation: HFC-134a
- Coolant weight when full: 1,35 kg
- CO₂-equivalent: 1,930 ton
- GWP: 1430

Find us locally at www.dynapac.com

We reserve the right to change specifications without notice. Photos and illustrations do not always show standard versions of machines. The above information is a general description only, all information's are supplied without liability.